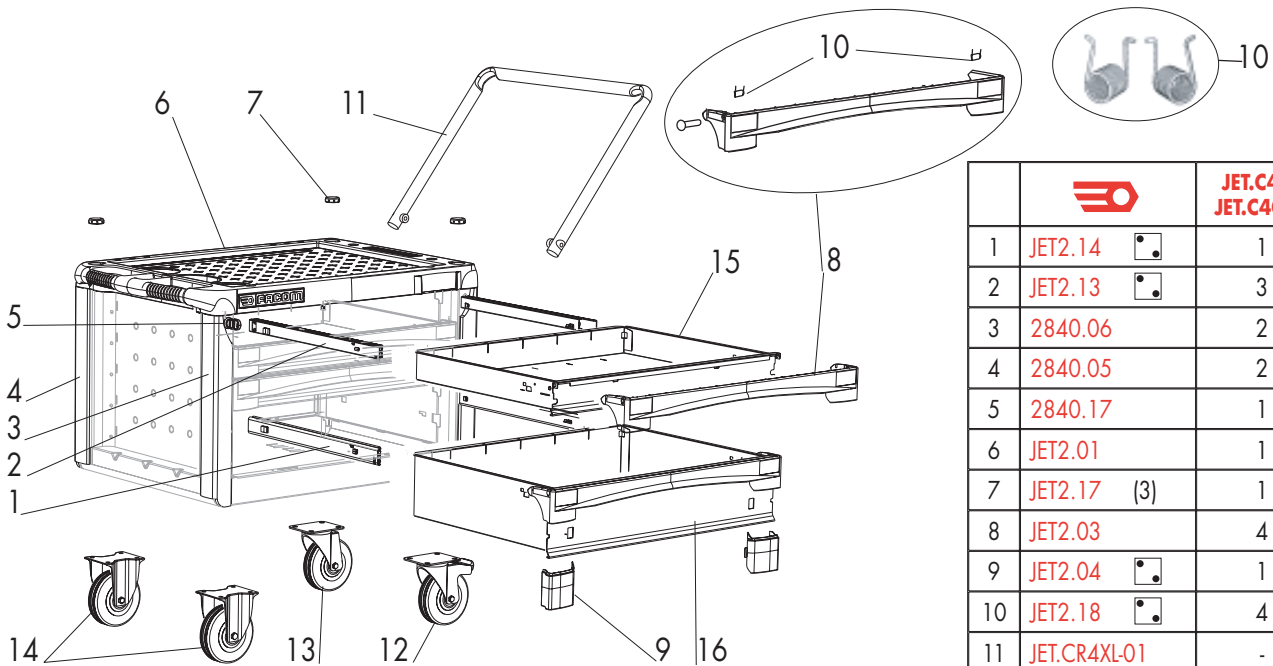
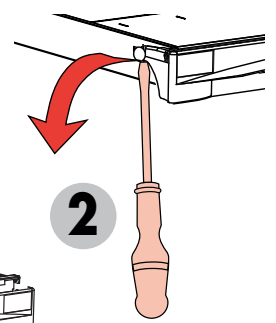
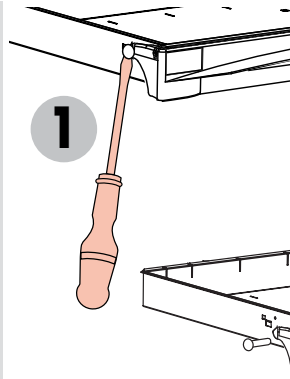
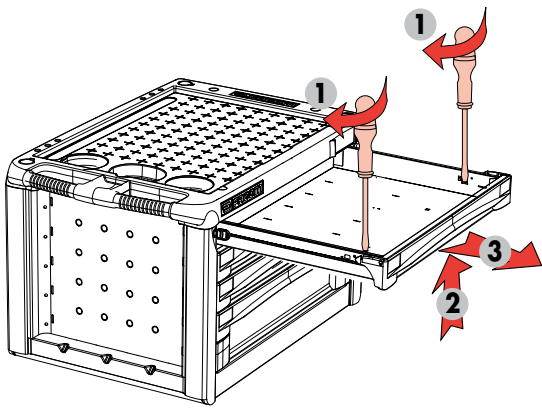

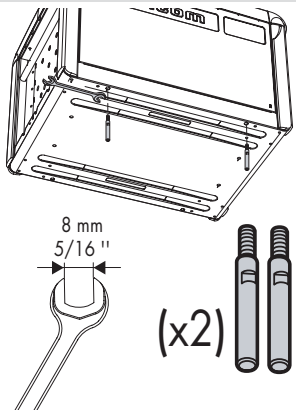


# JET.C4XL - JET.C4GXL JET.CR4XL - JET.CR4GXL

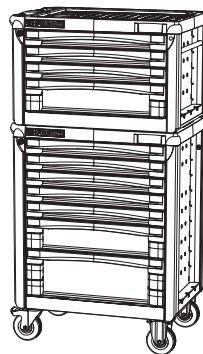
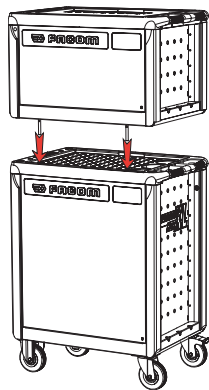


		JET.C4XL JET.C4GXL	JET.CR4XL JET.CR4GXL
1	JET2.14	1	1
2	JET2.13	3	3
3	2840.06	2	2
4	2840.05	2	2
5	2840.17	1	1
6	JET2.01	1	1
7	JET2.17 (3)	1	1
8	JET2.03	4	4
9	JET2.04	1	1
10	JET2.18	4	4
11	JET.CR4XL-01	-	1
12	2092.10	-	1
13	2092.09	-	1
14	2092.11	-	2
15	JET2.09R2 (G5)*	3	3
16	JET2.10R2 (G5)*	1	1

\*R2 → XL  
G5 → GXL



(x2)



CHRONO.C4K2

